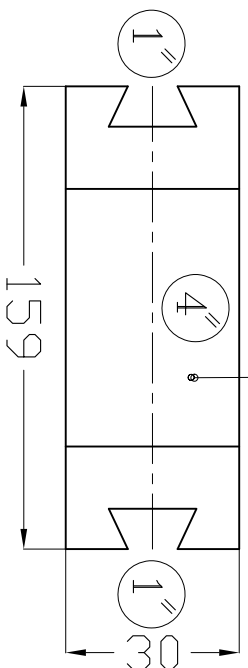
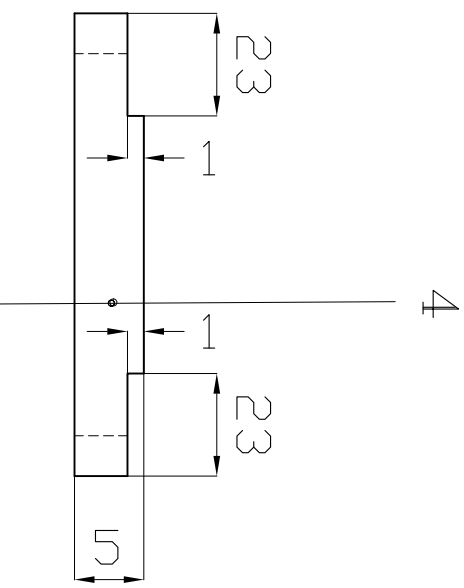
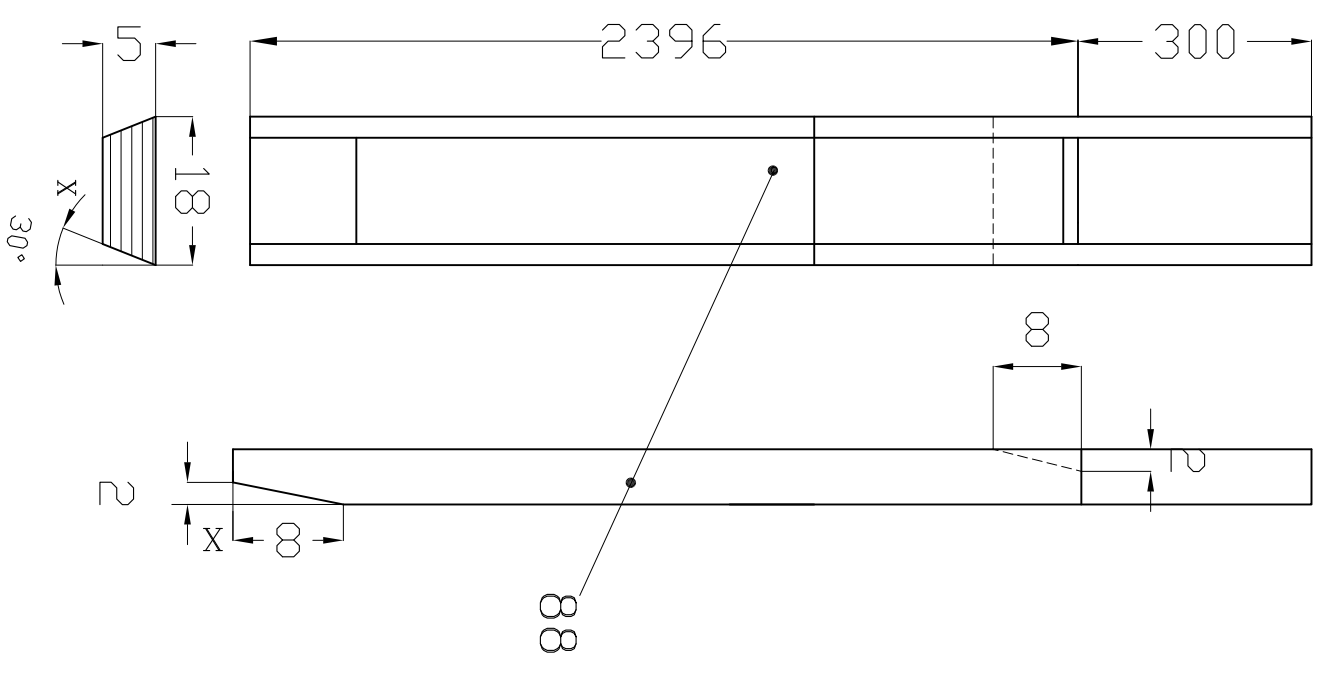
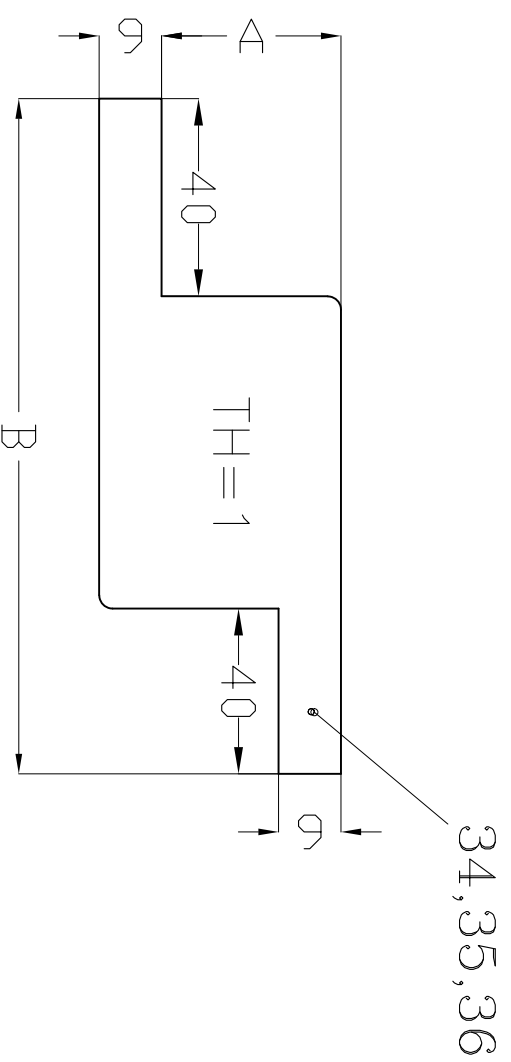
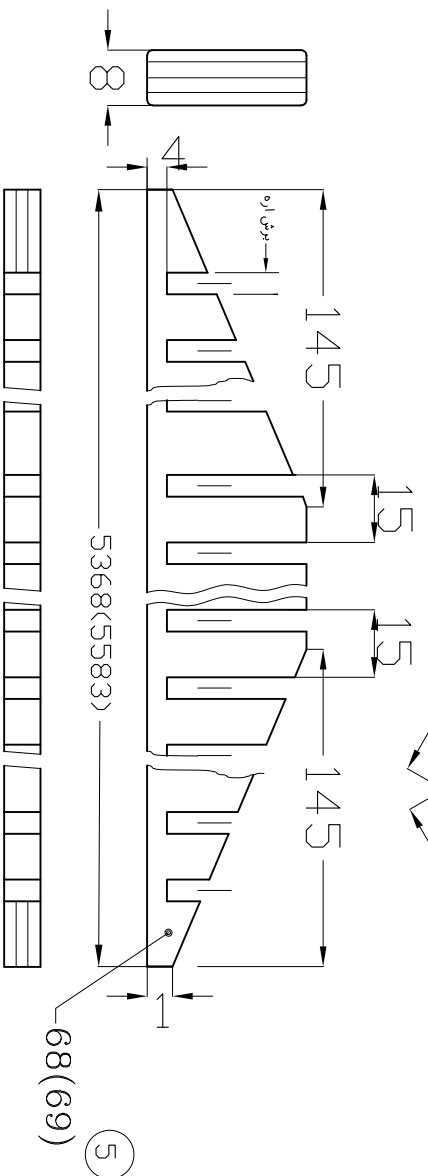
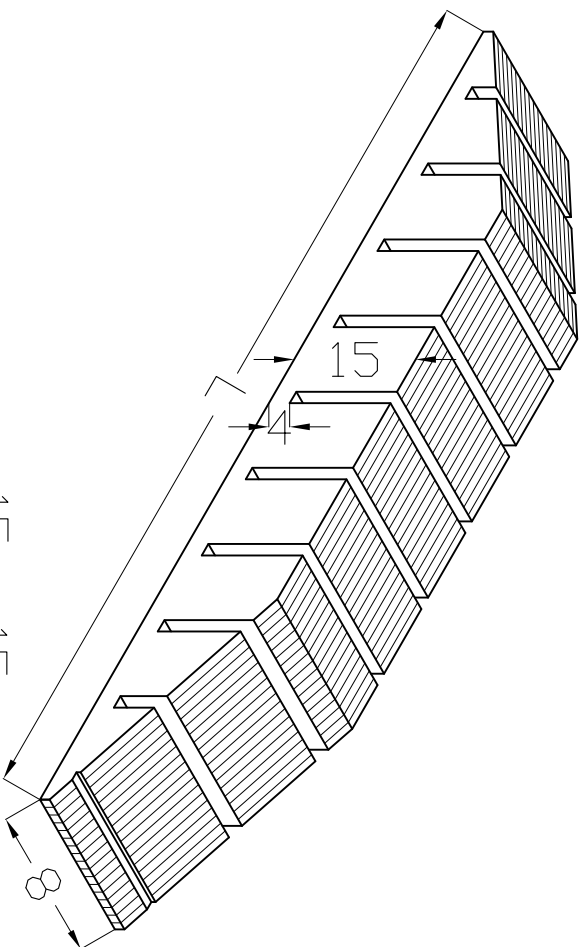
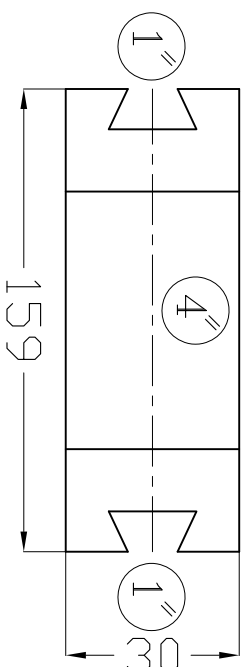
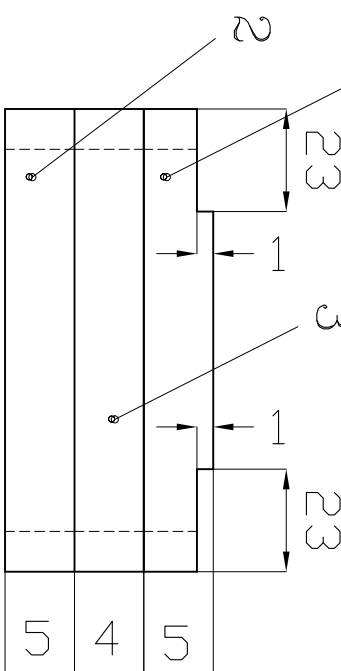
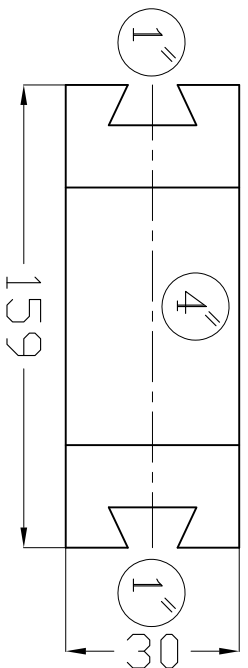
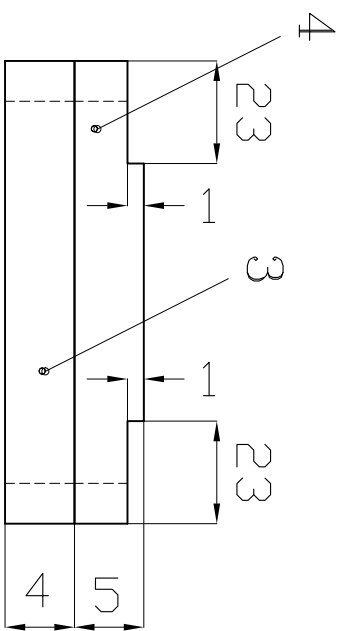


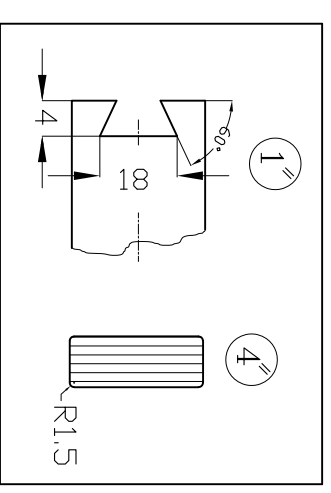
(Spacer Pos. 20)
(Pos.4+Pos.3)



(Spacer Pos. 21,22)
(Pos.4+Pos.3+Pos.2)



شماره قطعه	A	B
34	14.5	177
35	19.5	177
36	14.5	154



DRAWN	1/22/2023
CHECK	1/22/2023
GLOBAL LEADER	

OS-winding
INSULATION PARTS
DWG OS-N25
SHAT AL BASRA POWER PLANT

